

**KANSAS DEPARTMENT OF TRANSPORTATION
SPECIAL PROVISION TO THE
STANDARD SPECIFICATIONS, 2015 EDITION**

PORTLAND CEMENT CONCRETE PAVEMENT JOINTS

1.0 DESCRIPTION

Construct transverse joints in new portland cement concrete pavement and curb and gutter on this project according to the Contract Documents and this specification. Fill all sawed joints and adjacent curb and gutter on this project with hot pour joint sealant.

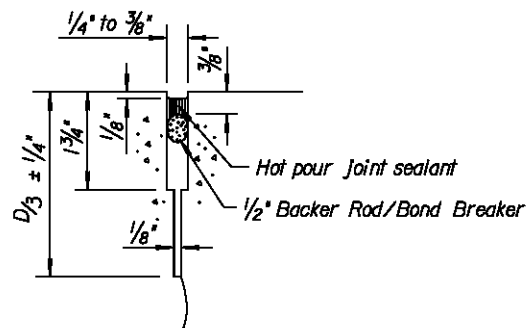
2.0 MATERIALS

a. Sealant. Provide hot pour joint sealant that meets **SECTION 1501**.

b. Backer Rod. Provide material meets **SECTION 1512** (15-15004, latest revision).

3.0 CONSTRUCTION REQUIREMENTS

FIGURE 1



Make the initial saw cut at 1/8 inch ($D/3 \pm 1/4$ inch). Make the 3/8 inch saw cut in a separate operation after the concrete has gained sufficient strength to avoid spalling.

4.0 MEASUREMENT AND PAYMENT

The Engineer will not measure this item for separate payment. This work is subsidiary to concrete pavement.