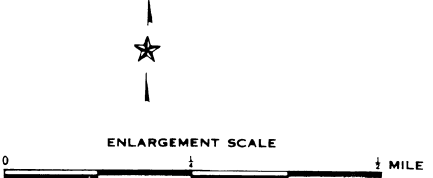
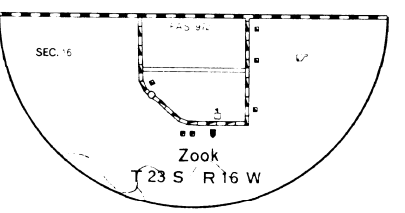
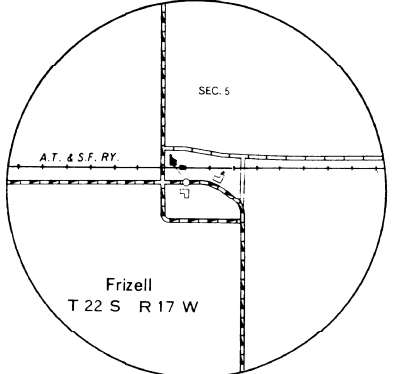
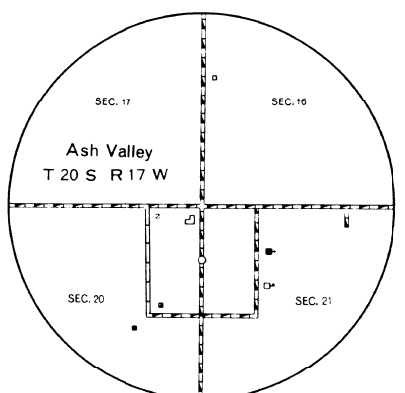


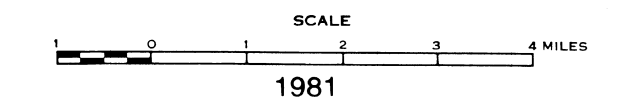
LEGEND

<p>ROADS AND ROADWAY FEATURES</p> <ul style="list-style-type: none"> Primitive Road (Type A) Unimproved Road (Type B) Gravel and Drained Road (Type C) Soil Surfaced Road (Type D) Gravel or Stone Road Not Graded or Drained (Type E-1) Gravel or Stone Road Graded and Drained (Type E-2) Gravel or Stone Road With Stabilized Surface (Type E-3) Blumhouse Road—Low Type (Type F, G, H, I) Travel Road (Type G-2, H-2, I, K, L) Divided Highway Highway With Full Control of Access Side Roads and Streets in Unincorporated Urban Centers and Extensions of Local Roads Within Municipalities 4 Lane Undivided Highway Projected Road <p>Road System Designation</p> <ul style="list-style-type: none"> Federal-Aid Interstate Highway System Federal-Aid Primary Highway System Federal-Aid Secondary Highway System Federal-Aid Urban Highway System <p>Interstate Numbered Highway</p> <ul style="list-style-type: none"> U.S. Numbered Highway State Highway System State Numbered Highway State Highway System Designated System or Market Route <p>RAILROADS</p> <ul style="list-style-type: none"> Railroad (Any Number of Tracks Used by a Single Operating Company or by Trains of Another Carrier Under Trackage Rights) Railroad in Joint Operation (Trains of More Than One Company) Tracks of Separately Operated Companies on Adjacent Rights-of-Way Abandoned Railroad (Track Retained) Railroad Station <p>Railroad Crossing</p> <ul style="list-style-type: none"> Grade Crossing Railroad Above Railroad Below Railroad Bridge <p>AIRWAYS AND AIRPORTS</p> <ul style="list-style-type: none"> Military Field (Some Facilities Available) Complete Facilities (Commercial or Municipal) Airfield, Limited Facilities Landing Area or Strip (Including Private Air Fields) Arway Light Beacon, General Arway, General <p>NAVIGATION</p> <ul style="list-style-type: none"> Navigable Stream (N—intermittent navigation) <p>DRAINAGE</p> <ul style="list-style-type: none"> Intermittent Stream (Name) Intermittent Stream (Wide) Narrow Stream Wide Stream Drainage Ditch Ingenue Drain Lake, Reservoir or Pond Lake, Reservoir or Pond With Dam Dry, Lake Subject to Flood Marsh or Swamp Land Overflow Land <p>STRUCTURES</p> <ul style="list-style-type: none"> Highway Bridge, General Total Span Greater Than 20 Feet Small Bridges Closely Spaced <p>Bridges for Long River Crossings</p> <ul style="list-style-type: none"> Arch Trestle or Girder (in wood & steel) Canalover Bridge Highway Grade Separation <p>Miscellaneous Structures</p> <ul style="list-style-type: none"> Levee Or Dike Levee Or Dike With Road Concrete Ford Or Dip Ford-Road Established Cattle Guard Gate Across Road (Any Type) <p>BOUNDARIES</p> <ul style="list-style-type: none"> State County Corporate Lines Boundary Lines Established For Delimited Urban Places Section Line Boundary to Mark Entanglement Inset Parks and Other Reservations National, State, County, or Municipal Park, Indian Reservation, National Monument, Federal Development Project Monument—Small, Historic Site <p>CITY AND VILLAGE CENTERS</p> <ul style="list-style-type: none"> State Capital County Seat Other Cities and Villages Incorporated City or Village Boundary Limits Fixed for Special Taxing Areas and Other Unincorporated Urban Places Delimited <p>NATURAL FEATURES</p> <ul style="list-style-type: none"> Prominent Elevation—With Name Numbers Indicate Elevation Above Sea Level Sink or Depression 	<p>CONSERVATION AND RECREATION</p> <ul style="list-style-type: none"> Picnic Ground Playground, Ball Field, Etc. Bathing Beach or Swimming Pool Scenic Site Camp Site, No Permanence (Tents or Trailer Parking) Tourist Court or Motel (Figure Indicates Number of Permanent Cabins or Cottages) Camp or Lodge (Permanent Site With Building) Small Park (SP-State, CP-County, MP-Municipal, SR-Safety Rest Area) Fish Hatchery Game Farm Game Preserve Wild Club Golf Ground or Country Club Birding Academy Yacht Club Amusement Park or Hall Fair Ground, Race Course, Speedway Drive-In Theater Marina Roller Coaster Guide House or Gate House (Add Letters N or S to Indicate National or State Park) <p>FARM UNITS, DWELLINGS, ETC.</p> <ul style="list-style-type: none"> Farm Unit Dwelling (Other Than Farm) Rows or Groups of Dwellings Closely Spaced (Figure Denotes Number of Dwellings) Combined Dwelling and Store Dwelling and Filling Station Dwelling, Business and Filling Station Trailer House Seasonal or Summer Colony Dwelling Hostel, Inn Homeless Society Quarters Church or Other Religious Institution Church and School (Joint Use) Cemetery Church With Cemetery Adjacent Fresh Air Farm or Rest Home Hospital Hotel State Port of Entry or Weight Station Group of Mixed Cultural Features Closely Spaced (Figure above bar indicates number of dwellings included in the group; figures over individual units show number of each indicated regardless of order) <p>INDUSTRIAL</p> <ul style="list-style-type: none"> Store or Small Business Establishment Business and Filling Station Business and Post Office Factory or Industrial Plant Manufacturing Plant (Any Kind) Oil or Gas Well Oil or Gas Field Storage Tank (Gas or Oil) (Figure Denotes Number of Tanks) Filling Station (Not Connected With Other Business) Pumping Station (Oil or Gas) Gauging or Pumping Station (General) Value House Seasonal Industry (Cannery or Small Grain Mill) Milk Depot, Creamery or Cheese Factory Fruit or Nut Orchard Fruit or Product Picking House Road Stand Farm Products Sales Warehouse—General (If Government Add State or U.S.) Grain Elevator Group of Grain Storage Bins Greenhouse Nursery Stock Yard Loading Pen or Corral Stock Pen at Railroad Stopping (Small) Gravel Pit Quarry Quarry—Open (Lime, Clay Products, Coke, Etc.) Feed Lot Shipping Center Seasonal Business Sawmill (Stationary) <p>EDUCATIONAL AND CORRECTIONAL INSTITUTIONS</p> <ul style="list-style-type: none"> Schoolhouse Consolidated or Large School Technical, Training, or Community Hall Agricultural Experiment Station Museum—General Public Library <p>PUBLIC SERVICE FACILITIES</p> <ul style="list-style-type: none"> Post Office Highway Garage Fire Engine House Garbage or Rubbish Dump Sewage Disposal Plant Add Salvage Yard Transformer Station Power Plant Power Substation Booster Station Water Supply Stand Pipe, or Tank Radio Station (With Call Letters) Radio Range Station Water Treatment Plant Jury Yard U.S. Corps of Engineers Office <p>MISCELLANEOUS</p> <ul style="list-style-type: none"> Fort, Army Camp, Barracks, or Other Military Post Transmigration Station Bench Mark (With Elevation)
--	---

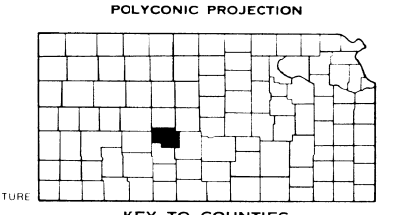


**GENERAL HIGHWAY MAP
PAWNEE COUNTY
KANSAS**

PREPARED BY THE
**KANSAS DEPARTMENT OF TRANSPORTATION
PLANNING AND DEVELOPMENT DEPARTMENT**
IN COOPERATION WITH THE
**U. S. DEPARTMENT OF TRANSPORTATION
FEDERAL HIGHWAY ADMINISTRATION**



1981



POPULATIONS—STATE BOARD OF AGRICULTURE
INVENTORY COMPLETED 1-25-81
P.A. AND STATE
SYSTEMS REVISED TO 2-25-81