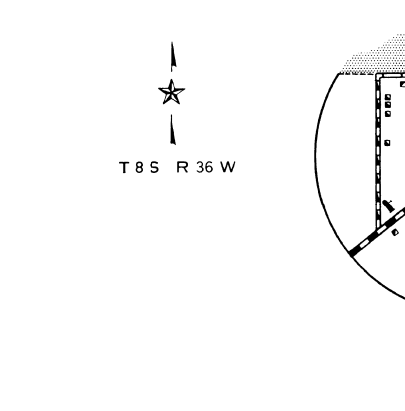
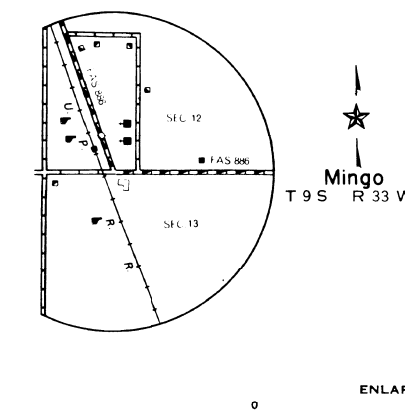


Levont
T 95 R 35 W



Brewster
T 96 R 36 W



Mingo
T 95 R 33 W

LEGEND	
ROADS AND ROADWAY FEATURES	CONSERVATION AND RECREATION
PRIMITIVE ROAD (TYPE A)	PICNIC GROUND
UNIMPROVED ROAD (TYPE B)	PLAYGROUND, BALL FIELD, ETC.
GRADED AND DRAINED ROAD (TYPE C)	BATHING BEACH OR SWIMMING POOL
SOIL SURFACED ROAD (TYPE D)	SCENIC SITE
GRAVEL OR STONE ROAD	CAMP SITE, NO PERMANENCE ITEMS OR TRAILER PARKING
NOT GRADED OR DRAINED	TOURIST TRAIL (TYPE E)
GRAVEL OR STONE ROAD WITH STABILIZED SURFACE (TYPE F)	TOURIST TRAIL (TYPE F)
BRUSHWOOD ROAD (TYPE G)	CAMP OR LODGE (PERMANENT WITH BUILDINGS)
PAVED ROAD (TYPE H)	SMALL PARK
DIVIDED HIGHWAY	FISH HATCHERY
SIDE ROADS AND STREETS IN UNINCORPORATED URBAN CONTACTS AND EXTENSIONS OF LOCAL ROADS WITHIN MUNICIPALITIES	BIRD SANCTUARY
4 LANE UNDIVIDED HIGHWAY	GAME PRESERVE
PRIVATE ROAD	GOLF GROUND OR COUNTRY CLUB
PROJECTED ROAD	POLY GROUNDS
	RIDING ACADEMY
	YACHT CLUB
	AMUSEMENT PARK OR MALL
	FAIR GROUND, RACE COURSE, SPEEDWAY
	DRIVE-IN THEATRE
	FARM UNITS, DWELLINGS, ETC.
	FARM UNIT
	ROWS OR GROUPS OF DWELLINGS CLOSELY SPACED (PHASE NUMBER OF DWELLINGS)
	COMBINED DWELLING AND STORE
	DWELLINGS AND POST OFFICE
	DWELLINGS AND FILLING STATION
	DWELLING, BUSINESS, AND FILLING STATION
	TENANT HOUSE
	SEASONAL OR SUMMER COLONY DWELLING
	HOTEL, INN
	CHURCH OR OTHER RELIGIOUS INSTITUTION
	CHURCH AND SCHOOL (WITH ABB)
	CEMETERY
	CHURCH WITH CEMETERY ADJACENT
	FRESH AIR PARK OR REST HOME
	HOSPITAL
	WELL
	STATE PORT OF ENTRY OR WEIGHT STATION
	GROUP OF MIXED CULTURAL FEATURES CLOSELY SPACED (GROUP NUMBER OF EACH INCLUDED REMARKS OF SURVEY)
	INDUSTRIAL
	STORE OR SMALL BUSINESS ESTABLISHMENT
	BUSINESS AND POST OFFICE
	BUSINESS AND FILLING STATION
	BUSINESS, FILLING STATION, AND POST OFFICE
	FACTORY OR INDUSTRIAL PLANT
	MINE-SHAFT OR DRIFT, AND ABB
	OIL OR GAS WELL
	OIL OR GAS FIELD
	OIL TANK
	GAS TANK
	GROUP OF STORAGE TANKS (OIL OR GAS)
	FILLING STATION (NOT CONNECTED WITH OTHER BUSINESS)
	PUMPING STATION (OIL OR GAS)
	GASOLINE OR PUMPING STATION (GENERAL)
	VALVE HOUSE
	SEASONAL INDUSTRY (CANNERY OR SMALL DRAIN MILL)
	MILK DEPOT, CREAMERY OR CHEESE FACTORY
	FRUIT OR NUT ORCHARD
	ROAD STAND FARM PRODUCTS SALES
	WAREHOUSE-GENERAL, 1" ELEVATION AND STATE OR GRAIN ELEVATOR
	C. C. STORAGE BINS
	GREENHOUSE
	NURSERIES
	STOCK YARD-LOADING PEN OR CORRAL
	STOCK PEN AT RAILROAD SIDING (GENERAL)
	QUARRY
	MILL (DRY OR WET LIME, CLAY PRODUCTS, GYPSUM, ETC.)
	EDUCATIONAL AND CORRECTIONAL INSTITUTIONS
	SCHOOLHOUSE
	CONSOLIDATED OR LARGE SCHOOL
	TOWNSHIP GRANGE, OR COMMUNITY HALL
	AGRICULTURAL EXPERIMENT STATION
	COUNTY FARM
	CORRECTIONAL INSTITUTION
	PUBLIC SERVICE FACILITIES
	POST OFFICE
	HIGHWAY GARAGE
	FIRE ENGINE HOUSE
	GARRAGE OR RUBBER DUMP
	GEWADE DISPOSAL PLANT
	WATER SUPPLY- STAND PIPE OR TANK
	PIPE LINE-GAS
	PIPE LINE-OIL
	PIPE LINE-PRODUCTS
	TRANSMISSION LINE (WITH TRANSFORMER STATION)
	POWER PLANT
	BOOSTER STATION
	UNDERGROUND TELEPHONE OR RADIO CABLE
	RADIO STATION (WITH CALL LETTERS)
	RADIO RANGE STATION
	MISCELLANEOUS
	FORT, ARMY CAMP, BARRACKS, OR OTHER MILITARY POST
	TRIANGULATION STATION
	BENCH MARK (WITH ELEVATION)
	NATURAL FEATURES
	PROMINENT ELEVATION (WITH NAME)
	WATER COURSE
	SINK OR DEPRESSION

GENERAL HIGHWAY MAP
THOMAS COUNTY
KANSAS

PREPARED BY THE
STATE HIGHWAY COMMISSION OF KANSAS
HIGHWAY PLANNING DEPARTMENT
IN COOPERATION WITH THE
U. S. DEPARTMENT OF COMMERCE
BUREAU OF PUBLIC ROADS

SCALE
0 1 2 3 4 MILES
1955
POLYCONIC PROJECTION

KEY TO COUNTIES