

LEGEND

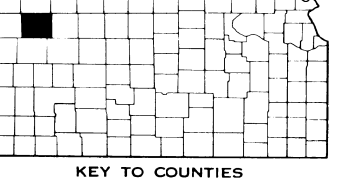
- | | |
|-------------------------------------------------------------------------------------------------------------|------------------------------------------------------------------------------|
| ROADS AND ROADWAY FEATURES | CONSERVATION AND RECREATION |
| PRIMITIVE ROAD (TYPE 1) | PICNIC GROUND |
| UNIMPROVED ROAD (TYPE 2) | PLAYGROUND, BALL FIELD, ETC. |
| GRADED AND DRAINED ROAD (TYPE 3) | BATHING BEACH OR SWIMMING POOL |
| SOIL SURFACED ROAD (TYPE 4) | SCENIC SITE |
| GRAVEL OR STONE ROAD | CAMP SITE, NO PERMANENCE (TRAIL OR TRAILER PARKING) |
| NOT GRADED OR DRAINED (TYPE 5) | TOURIST COURT OR MOTEL (INDICATE) |
| GRAVEL OR STONE ROAD | CAMP OR LODGE (PERMANENT SITE WITH BUILDINGS) |
| GRADED AND DRAINED (TYPE 6) | SMALL PARK (LOCAL OR STATE) |
| STABILIZED SURFACE (TYPE 7) | FISH HATCHERY |
| BITUMINOUS ROAD-LOW TYPE (TYPE 8) | BIRD SANCTUARY |
| PAVED ROAD (TYPE 9) | GAME FARM |
| DIVIDED HIGHWAY | GAME PRESERVE |
| HIGHWAY WITH FULL CONTROL OF ACCESS | RIFLE CLUB |
| SIDE ROADS AND STREETS IN UNINCORPORATED URBAN COMPACTS AND EXTENSIONS OF LOCAL ROADS WITHIN MUNICIPALITIES | GOLF GROUND OR COUNTRY CLUB |
| 4 LANE UNDIVIDED HIGHWAY | POLO GROUNDS |
| PRIVATE ROAD | RIDING ACADEMY |
| PROJECTED ROAD | YACHT CLUB |
| | AMUSEMENT PARK OR HALL |
| | FAIR GROUND, RACE COURSE, SPEEDWAY |
| | DRIVE-IN THEATRE |
| ROAD SYSTEM DESIGNATION | FARM UNITS, DWELLINGS, ETC. |
| FEDERAL AID INTERSTATE HIGHWAY SYSTEM | FARM UNIT |
| FEDERAL AID PRIMARY HIGHWAY SYSTEM | ROWS OR GROUPS OF DWELLINGS CLOSELY SPACED (FROM CENTER NUMBER OF DWELLINGS) |
| POINTS BETWEEN WHICH DISTANCES ARE MEASURED INDICATED THUS | COMBINED DWELLING AND STORE |
| INTERSTATE NUMBERED HIGHWAY | DWELLING AND FILLING STATION |
| STATE HIGHWAY SYSTEM OR U.S. NUMBERED HIGHWAY | DWELLING, BUSINESS, AND FILLING STATION |
| STATE NUMBERED HIGHWAY | TENANT HOUSE |
| END OF DESIGNATED SYSTEM OR MARKED ROUTE | SEASONAL OR SUMMER COLONY DWELLING |
| | HOTEL, INN |
| | CHURCH OR OTHER RELIGIOUS INSTITUTION |
| | CHURCH AND SCHOOL (JOINT USE) |
| | CEMETERY |
| | CHURCH WITH CEMETERY ADJACENT |
| | FRESH AIR FARM OR REST HOME |
| | HOSPITAL |
| | WELL |
| | STATE PORT OF ENTRY OR WEIGHT STATION |
| | GROUP OF MIXED CULTURAL FEATURES CLOSELY SPACED |
| | INDUSTRIAL |
| | STORE OR SMALL BUSINESS ESTABLISHMENT |
| | BUSINESS AND POST OFFICE |
| | BUSINESS, FILLING STATION, AND POST OFFICE |
| | BUSINESS, FILLING STATION, AND POST OFFICE |
| | FACTORY OR INDUSTRIAL PLANT |
| | MINE-SHAFT OR DRIFT (AND ROAD) |
| | OIL OR GAS WELL |
| | OIL OR GAS FIELD |
| | OIL TANK |
| | GAS TANK |
| | GROUP OF STORAGE TANKS (SEE ALSO 28) |
| | FILLING STATION (NOT CONNECTED WITH OTHER BUSINESS) |
| | PUMPING STATION (OIL OR GAS) |
| | GASOLINE OR PUMPING STATION (MINOR) |
| | VALVE HOUSE |
| | SEASONAL INDUSTRY (MINOR) BY SMALL BUILT WELL |
| | MILK DEPOT, CREAMERY OR CHEESE FACTORY |
| | FRUIT OR NUT ORCHARD |
| | FRUIT OR PRODUCE PACKING HOUSE |
| | ROAD STAND FARM PRODUCTS SALES |
| | WAREHOUSE-GENERAL (OF GOVERNMENT AND STATE OR U.S.) |
| | GRAIN ELEVATOR |
| | GROUP OF GRAIN STORAGE BINS |
| | GREENHOUSE |
| | NURSERY |
| | STOCK YARD-LOADING PEN OR CORRAL |
| | STOCK PEN AT RAILROAD SIDING (SMALL) |
| | GRAVEL PIT |
| | QUARRY |
| | MILK OR OVEN LINE (SEE PRODUCTS CODE, ETC.) |
| | EDUCATIONAL AND CORRECTIONAL INSTITUTIONS |
| | SCHOOLHOUSE |
| | CONSOLIDATED OR LARGE SCHOOL |
| | TOWNHALL, GRANGE, OR COMMUNITY HALL |
| | AGRICULTURAL EXPERIMENT STATION |
| | COUNTY FARM |
| | CORRECTIONAL INSTITUTION |
| | PUBLIC SERVICE FACILITIES |
| | POST OFFICE |
| | HIGHWAY GARAGE |
| | FIRE ENGINE HOUSE |
| | GARAGE OR RUBBISH DUMP |
| | SEWAGE DISPOSAL PLANT |
| | AUTO SALVAGE YARD |
| | TRANSFORMER STATION |
| | POWER PLANT |
| | POWER SUBSTATION |
| | BOOSTER STATION |
| | WATER SUPPLY- STAND PIPE, OR TANK |
| | RADIO STATION (SEE CALL LETTERS) |
| | RADIO RANGE STATION |
| | MISCELLANEOUS |
| | FORT, ARMY CAMP, BARRACKS, OR OTHER MILITARY POST |
| | TRIANGULATION STATION |
| | BENCH MARK (WITH ELEVATION) |
| | NATURAL FEATURES |
| | PROMINENT ELEVATION-WITH NAME |
| | WATER COURSE |
| | SINK OR DEPRESSION |

**GENERAL HIGHWAY MAP
THOMAS COUNTY
KANSAS**

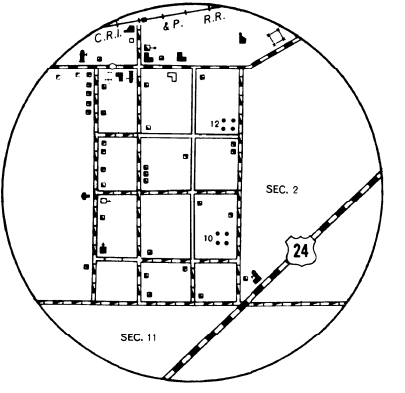
PREPARED BY THE
STATE HIGHWAY COMMISSION OF KANSAS
PLANNING AND RESEARCH DEPARTMENT
IN COOPERATION WITH THE
U. S. DEPARTMENT OF TRANSPORTATION
FEDERAL HIGHWAY ADMINISTRATION
BUREAU OF PUBLIC ROADS

SCALE 1" = 4 MILES

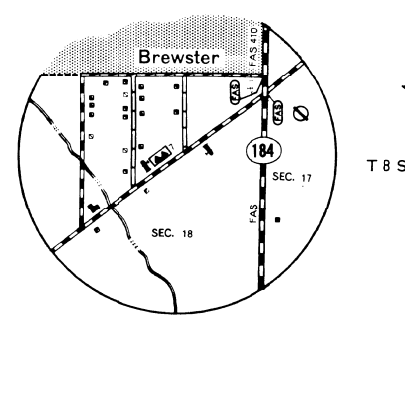
1967
POLYCONIC PROJECTION



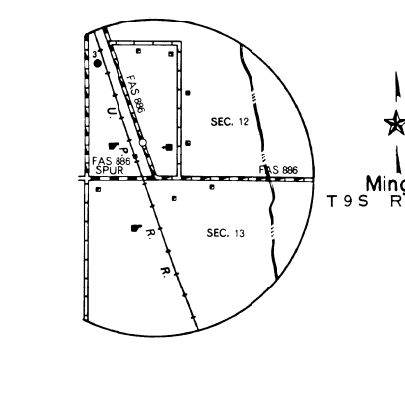
REINVENTORY COMPLETED 3-10-51
F.A. AND STATE SYSTEM REVISED TO 3-5-51



Levant
T 6 S R 35 W



Brewster
T 8 S R 36 W



Mingo
T 9 S R 33 W

